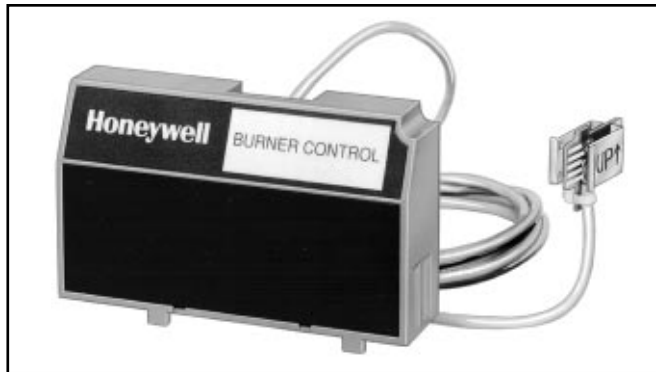


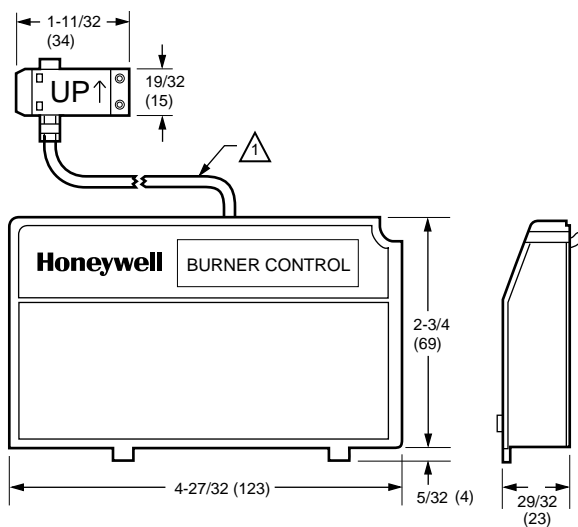
## 7800 Series 221818A,C Extension Cable Assembly

### INSTALLATION INSTRUCTIONS



### APPLICATION

The Extension Cable Assembly consists of a cover that provides protection for the configuration jumpers and the plug-in purge timers, if applicable. The cover contains a connector that interfaces with the computer bus connector of the 7800 SERIES device which, through the attached cable assembly, provides connection to the remotely-mounted S7800 Keyboard Display Module. The 221818A Extension Cable Assembly has a 60 inch (1524 mm) cable assembly; the 221818C Extension Cable Assembly has a 120 inch (3048 mm) cable assembly. See Fig. 1.



⚠ 221818A — 60 INCH (1524 MM) CABLE ASSEMBLY  
221818C — 120 INCH (3048 MM) CABLE ASSEMBLY  
M10452

**Fig. 1. Connector cover, connector dimensions, and cable length in in. (mm).**

### INSTALLATION

#### Mounting the Connector Cover (See Fig. 2)

1. Align the two interlocking ears of the connector cover with the two mating slots on the relay module.
2. Insert the two interlocking ears into the two mating slots and, with a hinge action, push on the lower corners of the connector cover to secure it.
3. Verify that the connector cover is in place.



**Fig. 2. Connector cover mounting on relay module.**

#### Remote Panel Mounting the Keyboard Display Module (VFD) (See Fig. 3)

1. Mount the keyboard display module (VFD) remotely from the relay module with either the 221818A 60 in. (1524 mm) Cable Assembly or the 221818C 120 in. (3048 mm) Cable Assembly, either on the face of a panel door or on another remote location.





**Fig. 3. Flush panel mounting of keyboard display module.**

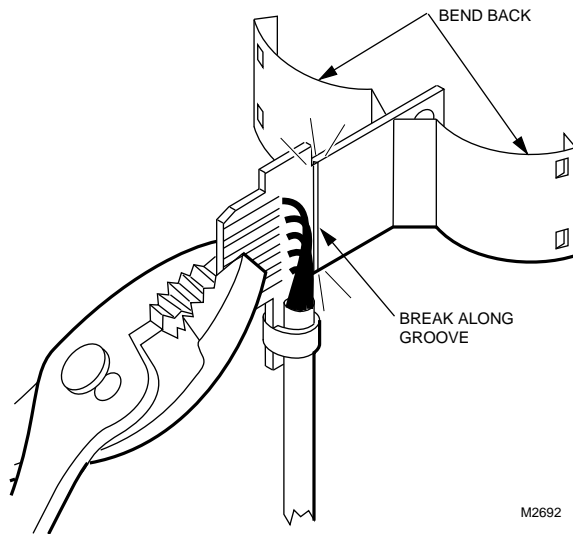
2. When mounting the keyboard display module on the face of the door panel, closely follow these instructions:
  - a. Select the location on the door panel for flush mounting. Allow for the insertion dimension of the Keyboard Display Module two screws, two interlocking ears and the two plug-in connectors to assure sufficient clearance (1/4 inch minimum from the surface of the door panel).
  - b. Using the keyboard display module or data controlbus module as a template, see Fig. 6, mark the two screw locations, two interlocking ear locations and the two plug-in connector locations. Drill the pilot holes for the mounting screws. Provide two holes on the door panel for the interlocking ears and plug-in connector holes A and B (shaded portions of Fig. 6).
  - c. Insert the extension cable assembly connector through the plug-in connector hole A. Use the 208702 Retainer Bracket on the display to reduce movement and relieve strain on the connector. See Fig. 7. Be sure that the two flanges are between the keyboard display module and the panel.
  - d. Mount the keyboard display module, securing the two no. 4 screws.



**Fig. 4. Remote mounting of keyboard display module using remote mounting bracket.**

### Remote Bracket Mounting the Keyboard Display Module (VFD) (See Fig. 4)

1. When mounting the keyboard display module on a wall or remote location up to 120 in. (3048 mm) from the relay module, use the 2037656 Remote Mounting Bracket.
  - a. Using the remote mounting bracket as a template, mark the four screw locations and drill the pilot holes.
  - b. Mount the remote mounting bracket by securing the four no. 6 screws (see Fig. 4).
  - c. On the extension cable assembly connector, with a pair of needle nose pliers, bend the two metal sides completely back and snap off the center of the connector at its score markings (see Fig. 5).
  - d. Insert the extension cable assembly connector to the keyboard display module connector A. See Fig. 6.



**Fig. 5. Modified connector for bracket mounting.**

- e. Mount the keyboard display module by inserting the two interlocking ears into the two mating slots on the remote mounting bracket; then push on the lower corners to secure it.
- f. Assure that the keyboard display module is firmly in place.

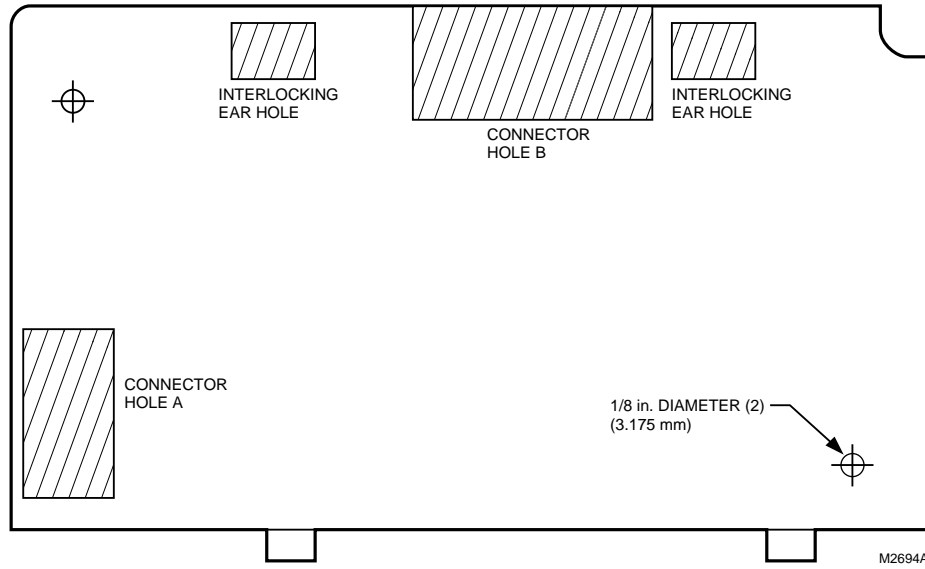


Fig. 6. Flush mounting of keyboard display module.

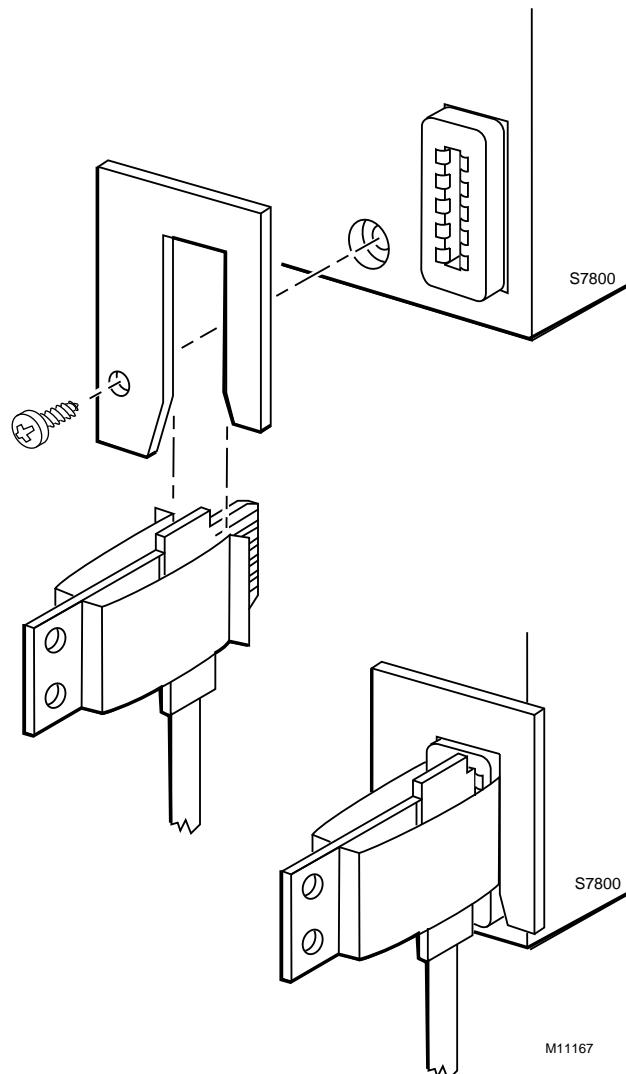


Fig. 7. Mounting 208702 Retainer Bracket.

**Honeywell**

---

**Home and Building Control**

Honeywell Inc.  
Honeywell Plaza  
P.O. Box 524  
Minneapolis MN 55408-0524

**Home and Building Control**

Honeywell Limited-Honeywell Limitée  
155 Gordon Baker Road  
North York, Ontario  
M2H 2C9

*Helping You Control Your World®*